



**GAI-TRONICS® CORPORATION**  
A HUBBELL COMPANY

## ICS AC-Powered Page/Party® Plug-in Amplifiers Quick Installation Guide

### Important Safety Instructions

- This equipment is suitable for use in Class I, Division 2, Groups A, B, C and D, Class II Division 2, Groups F, and G, Class III OR non-hazardous locations only. Combinations of equipment in your system are subject to investigation by the local Authority Having Jurisdiction at the time of installation.
- Read, follow, and retain instructions – All safety and operating instructions should be read and followed before operating the unit. Retain instructions for future reference.
- Heed warnings – Adhere to all warnings on the unit and in the operating instructions.
- Attachments – Attachments not recommended by the product manufacturer should not be used, as they may cause hazards. Maximum system cable length is not to exceed two miles.
- Servicing – Do not attempt to service this unit by yourself. Opening or removing covers may expose you to dangerous voltage or other hazards. Refer all servicing to qualified service personnel.

This permanently connected apparatus must have a UL Listed 15-amp circuit breaker incorporated in the electrical installation of the building.

**WARNING – EXPLOSION HAZARD** – Do not disconnect equipment unless power has been removed or the area is known to be non-hazardous. **Avertissement – Risque d'explosion** – avant de déconnecter l'équipement, couper le courant ou s'assurer que l'emplacement est désigné non dandereux.

**USA and Canada** Consult the National Electrical Code (NFPA 70), Canadian Standards Association (CSA 22.1), and local codes for specific requirements regarding your installation. Class 2 circuit wiring must be performed in accordance with NEC 725.55.

### General Information and Available Options

This quick guide covers the installation of the ICS AC-Powered Plug-in Amplifiers. See the chart below for applicable models.

ICS Amplifier Model	Description
751-001ICS	Speaker Amplifier
701-302ICS	Handset/Speaker Amplifier
701-304ICS	Handset/Speaker Amplifier with Auxiliary Jack
751-001ICSV	Speaker Amplifier with VLC
701-302ICSV	Handset/Speaker Amplifier with VLC
701-304ICSV	Handset/Speaker Amplifier with Auxiliary Jack and VLC
751-901ICS	SmartSeries Speaker Amplifier
701-902ICS	SmartSeries Handset/Speaker Amplifier
701-904ICS	SmartSeries Handset/Speaker Amplifier with Auxiliary Jack

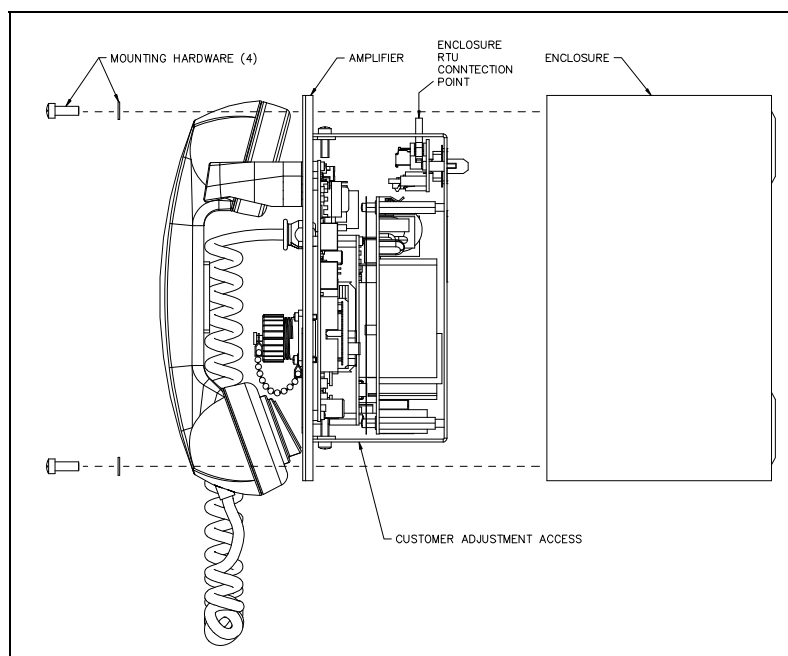


Figure 1. ICS AC-Powered Page/Party® Plug-in Amplifier Installation

Refer to Pub. 42004-730L2 at the “Manuals & Specs” link at [www.gai-tronics.com](http://www.gai-tronics.com) for detailed explanations of the available models and their settings, adjustments and warranty.

### Installing the ICS Page/Party® Plug-in Amplifier

1. Plug the amplifier directly into the enclosure. Use extra care not to damage the protruding latch wings of connector P6 located on the top right edge of the amplifier during installation.
2. Attach the amplifier to the enclosure with the hardware provided. See Figure 1.
3. Apply power to the station.

### Enclosure RTU Connection (if applicable)

Amplifiers with VLC or SmartSeries PCBAs can be connected via an enclosure ribbon cable to provide a double-pole, Form “C” relay and one fuse-protected contact. If an RTU is present in the enclosure, connect the ribbon cable provided to the receptacle on the top side of the amplifier.

### Available Adjustments

Most models are preconfigured to a default standard at the factory. The following is a partial list of the available adjustments and settings that may be needed. Refer to Pub. 42004-730L2 for complete information.

#### **Standard AC-Powered ICS Plug-in Amp**

- Speaker Volume
- Speaker Mute
- Speaker Gain
- Transmit Level
- Receiver Volume

#### **ICS Plug-in Amp with VLC**

- Speaker Volume
- Speaker Mute
- Speaker Gain
- Transmit Level
- Receiver Volume
- Audio Alignment
- Page Disable Control
- Remote Signaling (RTU)

#### **SmartSeries AC-Powered Plug-in Amp**

- Address
- ALS Minimum Level
- ALS Offset Level
- SmartSeries VLC Level
- FSK Signal Gain

NRTL Listed for USA and Canada..... Class I, Groups A, B, C, and D, Division 2;  
Class II, Groups F and G, Division 2;  
Class III, Division 2 Hazardous Locations  
Temperature code, T4

# Warranty

---

Equipment. GAI-Tronics warrants for a period of one (1) year from the date of shipment, that any GAI-Tronics equipment supplied hereunder shall be free of defects in material and workmanship, shall comply with the then-current product specifications and product literature, and if applicable, shall be fit for the purpose specified in the agreed-upon quotation or proposal document. If (a) Seller's goods prove to be defective in workmanship and/or material under normal and proper usage, or unfit for the purpose specified and agreed upon, and (b) Buyer's claim is made within the warranty period set forth above, Buyer may return such goods to GAI-Tronics' nearest depot repair facility, freight prepaid, at which time they will be repaired or replaced, at Seller's option, without charge to Buyer. Repair or replacement shall be Buyer's sole and exclusive remedy. The warranty period on any repaired or replacement equipment shall be the greater of the ninety (90) day repair warranty or one (1) year from the date the original equipment was shipped. In no event shall GAI-Tronics warranty obligations with respect to equipment exceed 100% of the total cost of the equipment supplied hereunder. Buyer may also be entitled to the manufacturer's warranty on any third-party goods supplied by GAI-Tronics hereunder. The applicability of any such third-party warranty will be determined by GAI-Tronics.

Services. Any services GAI-Tronics provides hereunder, whether directly or through subcontractors, shall be performed in accordance with the standard of care with which such services are normally provided in the industry. If the services fail to meet the applicable industry standard, GAI-Tronics will re-perform such services at no cost to buyer to correct said deficiency to Company's satisfaction provided any and all issues are identified prior to the demobilization of the Contractor's personnel from the work site. Re-performance of services shall be Buyer's sole and exclusive remedy, and in no event shall GAI-Tronics warranty obligations with respect to services exceed 100% of the total cost of the services provided hereunder.

Warranty Periods. Every claim by Buyer alleging a defect in the goods and/or services provided hereunder shall be deemed waived unless such claim is made in writing within the applicable warranty periods as set forth above. Provided, however, that if the defect complained of is latent and not discoverable within the above warranty periods, every claim arising on account of such latent defect shall be deemed waived unless it is made in writing within a reasonable time after such latent defect is or should have been discovered by Buyer.

Limitations / Exclusions. The warranties herein shall not apply to, and GAI-Tronics shall not be responsible for, any damage to the goods or failure of the services supplied hereunder, to the extent caused by Buyer's neglect, failure to follow operational and maintenance procedures provided with the equipment, or the use of technicians not specifically authorized by GAI-Tronics to maintain or service the equipment. **THE WARRANTIES AND REMEDIES CONTAINED HEREIN ARE IN LIEU OF AND EXCLUDE ALL OTHER WARRANTIES AND REMEDIES, WHETHER EXPRESS OR IMPLIED BY OPERATION OF LAW OR OTHERWISE, INCLUDING ANY WARRANTIES OF MERCHANTABILITY OR FITNESS FOR A PARTICULAR PURPOSE.**

## Return Policy

---

If the equipment requires service, contact your Regional Service Center for a return authorization number (RA#). Equipment should be shipped prepaid to GAI-Tronics with a return authorization number and a purchase order number. If the equipment is under warranty, repairs or a replacement will be made in accordance with the warranty policy set forth above. Please include a written explanation of all defects to assist our technicians in their troubleshooting efforts.

Call 800-492-1212 (inside the USA) or 610-777-1374 (outside the USA) for help identifying the Regional Service Center closest to you.